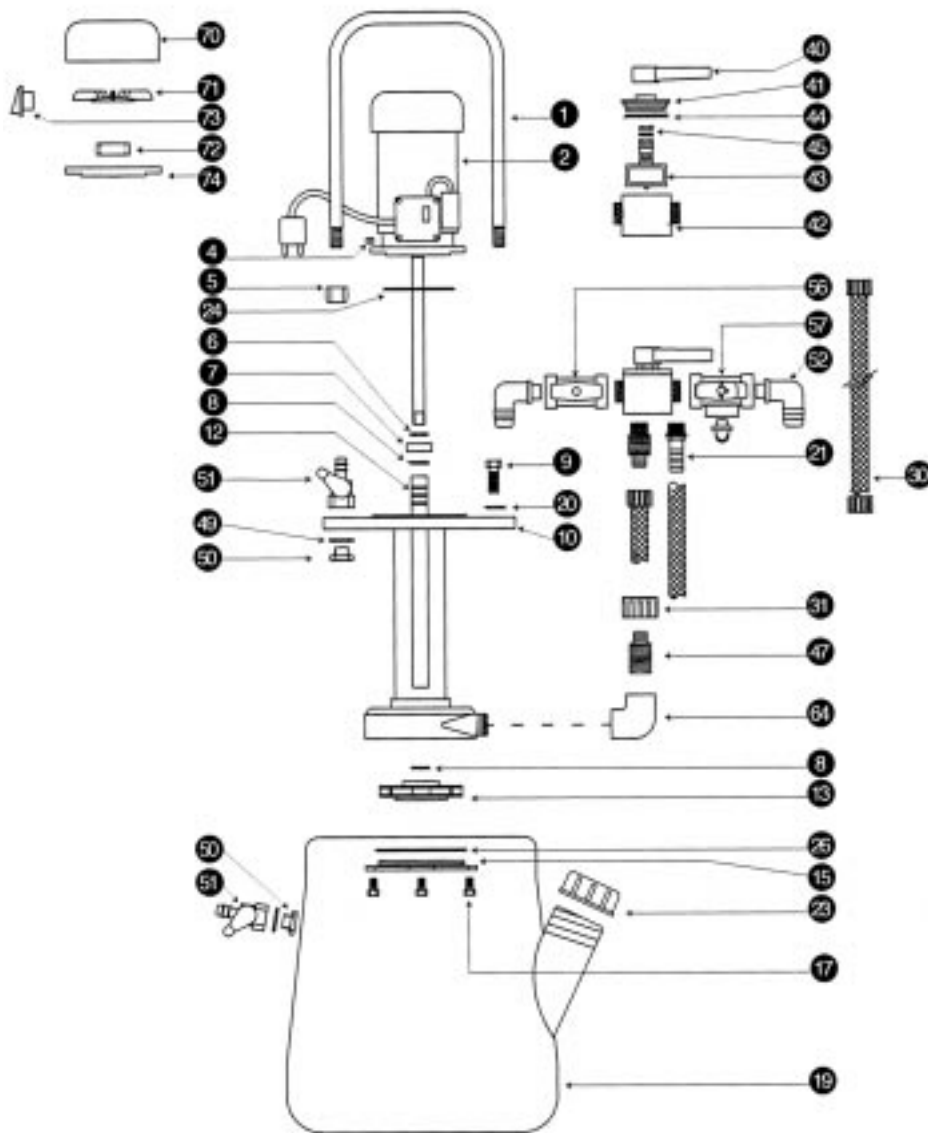


RIDGID® DP-24



Ref. No.	Description	Cat.No.	Ref. No.	Description	Cat.No.
1	METAL HANDLE	81386	42	BODY REVERSER VALVE	84536
4	BRASS NUT, 6 mm	57556	42	FLY-VALVE REVERSER	74446
5	BLIND RING NUT PVC 16 MA	81396	44	O-RING FOR REVERSER COVER	74456
6	O-RING SEAL	81406	45	O-RING X BUTTERFLY INVERTER	74466
7	ARNITE WASHER X BOY C 20-30	81416	46	HOSE FITTING 1/2" X 3/4" X 16	57736
8	O-RING X IMPELLOR	81426	47	HOSE FITTING 3/4" x 16 mm IN PVC	81536
9	BOLT 12 mm IN PPI	57586	49	GLAND EPDM 1-1/4"	81546
10	FLANGE + PUMP BODY	81436	50	COVER 3/4" PP	81556
12	SHAFT SLEEVE IN PP	81446	51	BALL VALVE + HOSE FITTING 3/4"	81566
13	IMPELLOR IN PP	81456	52	RING NUT HOLDER 1/2" x 16	81576
15	ROTOR COVER IN PP	81466	56	BALL VALVE VKFM 1/2"	81586
17	BOLT 10 mm IN PP	81476	57	THREE-WAY VALVE VTFM 1/2"	81596
19	RED TANK X 20-30	81486	64	90 X ELBOW FITTING 3/4", IN PP	81606
20	O-RING 2050 X SCREWW M12 FLANGE	81496	65	COLLAR 12-22	81616
21	HOSE FITTING 1/2" x 16 mm IN PVC	57706	70	IMPELLER COVER X MOTOR 0,33 ICME	81626
23	TANK CAP	81506	71	IMPELLER X MOTOR 0,33 Hp ICME	81636
24	O-RING X MOTOR FLANGE	74366	72	ROLLER BEARING	81646
26	O-RING ROTOR COVER	81516	73	SWITCH	74486
30	TRANSPARENT HOSE, 2 mt IN PVC	57686	74	FLANGE 0,33 Hp + OIL BUFFER /ICME	81656
31	SHAFT GRIPPING RING-NUT 3/4"	74386		PIPE WRENCH RING NUD 1/2"	81666
40	REVERSER VALVE HANDLE	81526		MOTOR 0,45 Hp 230/50 BLACK (IC)	81676
41	VALVE REVERSER COVER	74426		REDUCTION KIT	81686