

Art. 904200 - 904298

**Testing Pump with
Bucket Tank up to
60 bar**

User Manual

rev. 2.0 of 03/05/2017



Congratulations ! The pump that you purchased was built with high quality materials worked with advanced technologies, so that this unit is known and appreciated in the whole world.

These instructions will give you important information about the general safety, accident prevention and pump's upkeep.

Please, read carefully these instructions and comply with the safety warnings.

PURPOSE OF USE

The horizontal testing pump art. 904200 and art. 904298 is purpose-made to test water systems and to small water transplating.

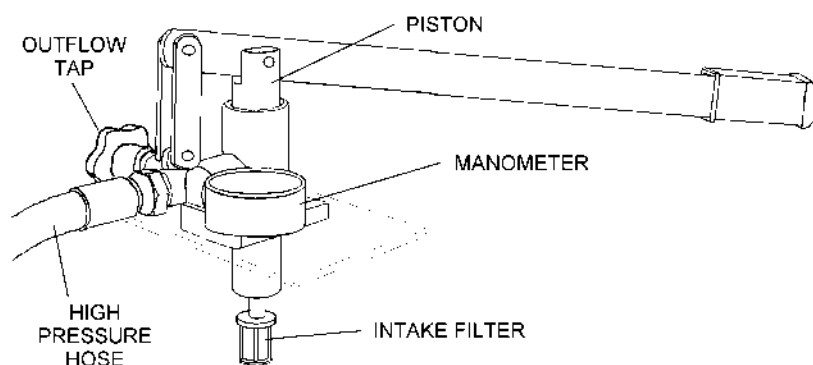
The builder refuse every responsibility for damages or bad working if the pump is used incorrectly, for a purpose for which it was not intended or is tampered.

TECHNICAL DATA

Art.	Pressure	Flow	Gaskets	Tank	Weight	Tank Capacity	Size	Pipe
904200	60 bar	22 cc/cycle	NBR	Painted	11 Kg	12 L	260x260x540mm	1,5 m x 1/2"F with swiveling nut
904298	60 bar	22 cc/cycle	Viton	Painted	11 Kg	12 L	260x260x540mm	1,5 m x 1/2"F with swiveling nut

INSTRUCTIONS

1. Before using the pump, install the lever (810011) located inside the tank by sliding the two moving supports into the piston body pin (411166) and the longest part into the pin (411167) of the piston through the hole Larger than the lever.
2. Put the pump on a safe, horizontal surface. Fill the tank with at least 3/4 of the capacity of the tank itself.
3. Connect the pipe to the system to be tested. Make sure that the drain cock is closed.
4. If possible, fill the water tank with the autoclave, otherwise use the pump.
5. Bring the system to the required pressure. To keep the plant under pressure without leaving the pump on site, **MGF** recommends using HELP (Art. 904400) not supplied with the pump.
6. At the end the test, open the outflow tap, then remove the high pressure hose from the water system.



WARNINGS

Use the pump only for the purpose for which it was intended. Comply general safety instructions.
Allow only trained people to use the pump. Keep children distant from the pump and its parts.
Keep the work area tidy. Clutter can prove dangerous.
Avoid dangerous ambient influences (e.g. inflammable fluids or gases).
Provide adequate lighting at the workplace.
Wear tight work clothes, keep long hair well clear, take off jewels and similar.
Use safety glasses.
Take up a firm standing position during operation .
Check the unit for damage. Replace worn parts as early as possible.
Secure the surrounding area against access by unauthorised people during pressure testing.
The acoustic pressure level during usage is less than 83 dB.

The builder refuse every responsibility for damage due to missing respect of purpose of use, instructions and warnings.

MAINTENANCE

Regularly grease the pump piston (810100) and clean the intake filter (211140) and the valves.
Regularly check unit and hose for damages.

In case of bad pump working (required pressure is not achieved; the pump doesn't work with regularity; the pump doesn't keep pressure):

- Check if intake filter is clean.
- Check outflow valve: unscrew the plug (411182), take the spring (201183) and the ball (181173). Clean the ball. Put the ball and the spring inside the valve. Screw the tap.

Use only original spare parts and originals accessories and perform repairs by qualified personnel. If you decide not to use the machine again, it is recommended to keep it away from children. In case of scrapping, disassemble the machine and collect the homogeneous parts for disposal in accordance with applicable regulations. Do not use scraped parts as spare parts.

TECHNICAL ASSISTANCE AND REPAIR

Do not improvise it repairers.

Do not modify the equipment, this may cause insecure operation.

For any form of technical assistance you can contact us in one of the following ways:

telephone: +39 0521/818301

fax: +39 0521/818202

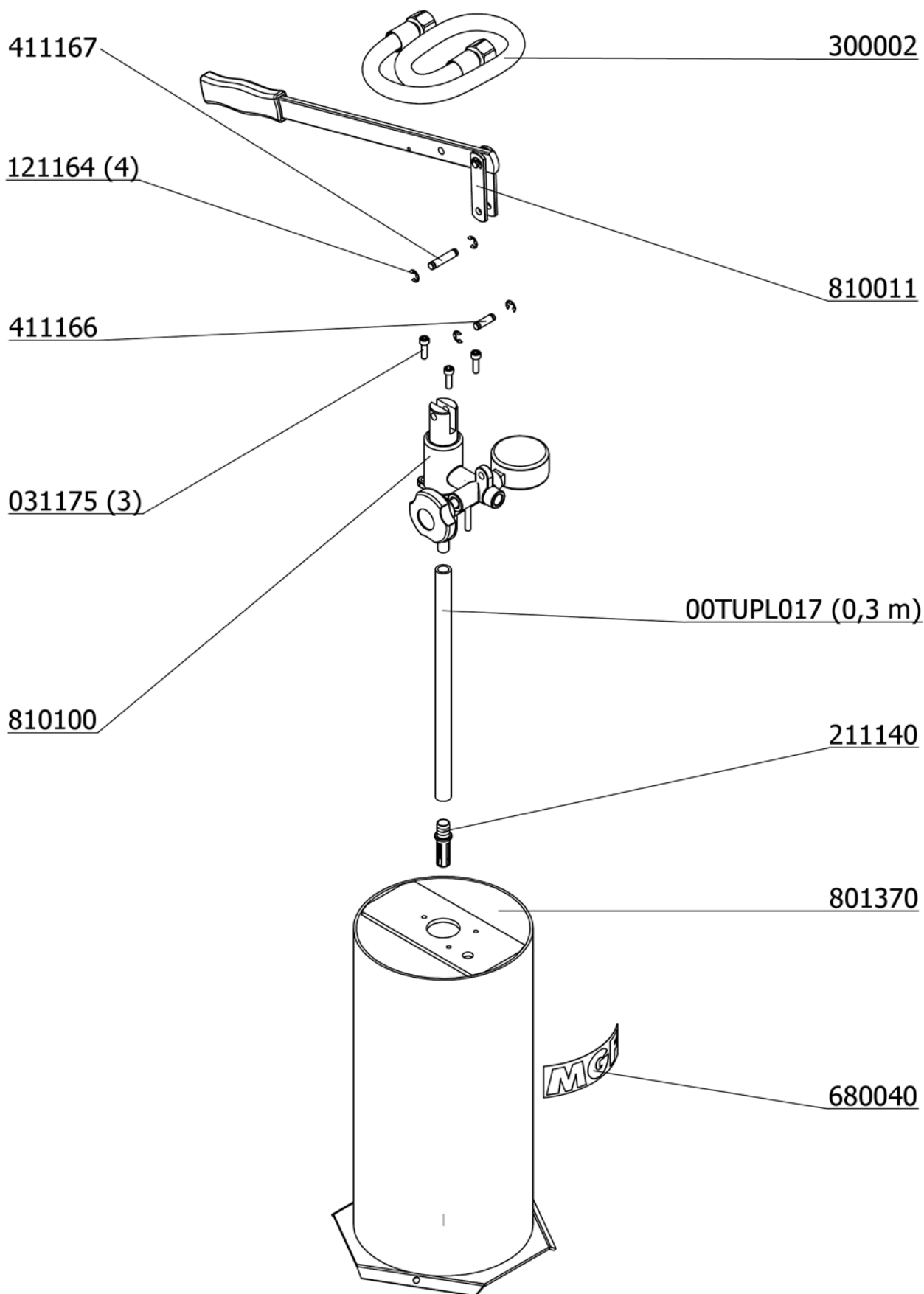
email: assistenza@mgftools.com

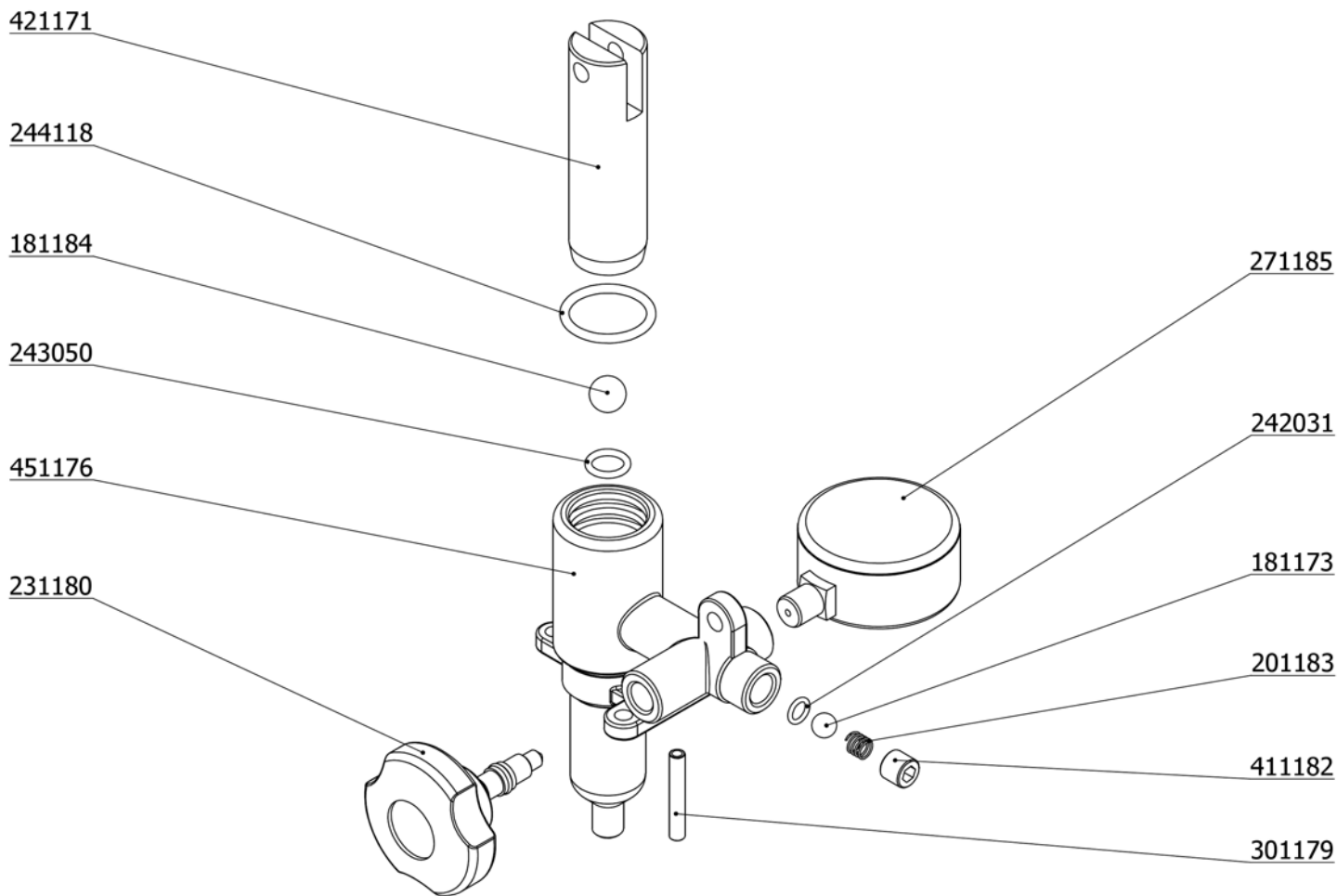
We will serve you as soon as possible.

You can use a on-site service, free of charge for warranty or previously agreed upon, at the current rate in all other cases.

Shipment of repair material must be pre-authorized by means of an RMA form (binding condition for the withdrawal of any goods in repair).

EXPLODED VIEW





Dichiarazione di Conformità

MGF srl - Via Chico Mendes, 8 - 43055 Mezzani (PR) – Italy, declares under its own responsibility that Testing Pump with bucket tank art. 904200 and art. 904298 answer to the requirement of directive 2006/42/EC; as regards pressure vessels comply with standard 97/23/EC;

MGF srl
Fusab

